

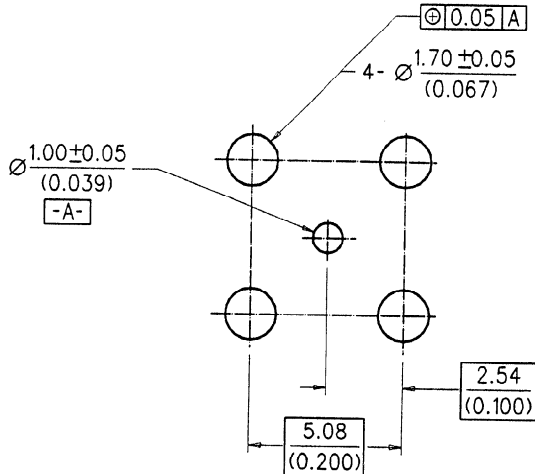
ENG. NO SDA-73100-0103

EDP NO

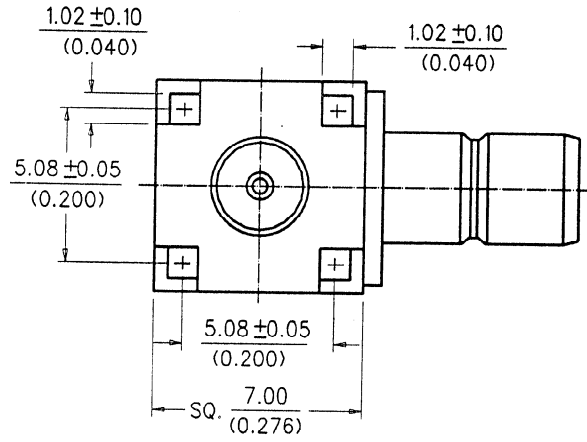
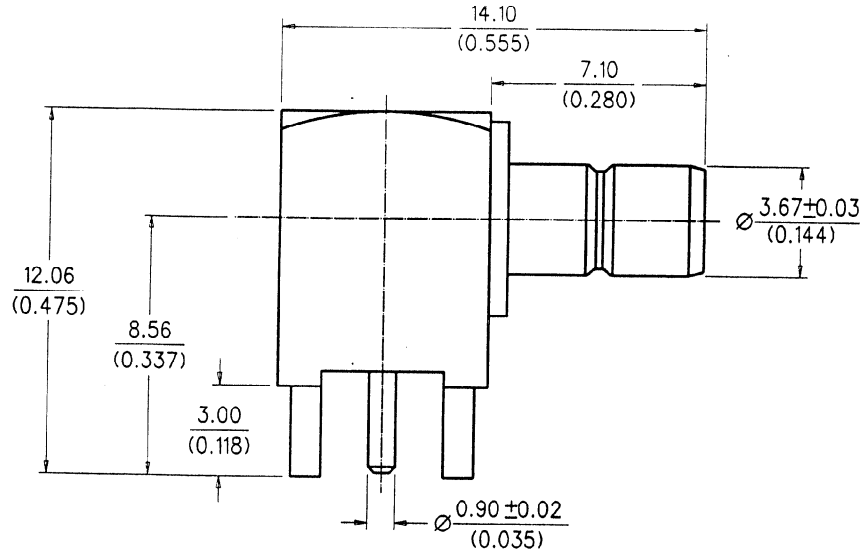
SIMILAR ITEM

CADFILE NOS1000103.DGN

DO NOT SCALE DRAWING



RECOMMENDED PCB HOLE CONFIGURATION



CONSTRUCTION:

- BODY-----BRASS
- DIELECTRIC-----TEFLON
- △ CENTER CONTACT----PHOSPHOR BRONZE
- HOUSING-----BRASS

FINISH :

- BODY-----GOLD PLATING
- CENTER CONTACT---GOLD PLATING
- HOUSING-----GOLD PLATING

MECHANICAL AND ELECTRICAL CHARACTERISTIC:

- PER PRODUCTOR SPECIFICATION PS-73598-0099
- *RF LEAKAGE --- NOT APPLICABLE
- *VSWR -----NOT APPLICABLE

MATERIAL AND FINISHES:

PER PRODUCTOR SPECIFICATION PS-73598-0099

PACKAGING:

PLASTIC TRYS △

MATERIAL : SEE NOTES		MOLEX TAIWAN LTD. (R.F. DIVISION)
FINISH : SEE NOTES		
SCALE : 6:1 UNIT : mm(INCH)		GENERAL TOLERANCES ANGLE : ± 3° DIM : ± 0.25 (± 0.1)
DRAWN BY : IRIS WANG 93/08/04		DRW. NO.: SDA-73100-0103 REV C
CHK'D BY : <i>Mad. Wang</i>		TITLE : 50 OHM SMB JACK R/A PCB RECEPTACLE
LTR REVISION RECORD ECN DR DATE APPR'D BY : <i>Mad. Wang</i>		
STANDARD ITEM <input type="checkbox"/> YES <input checked="" type="checkbox"/> NO		SHEET 1 of 1